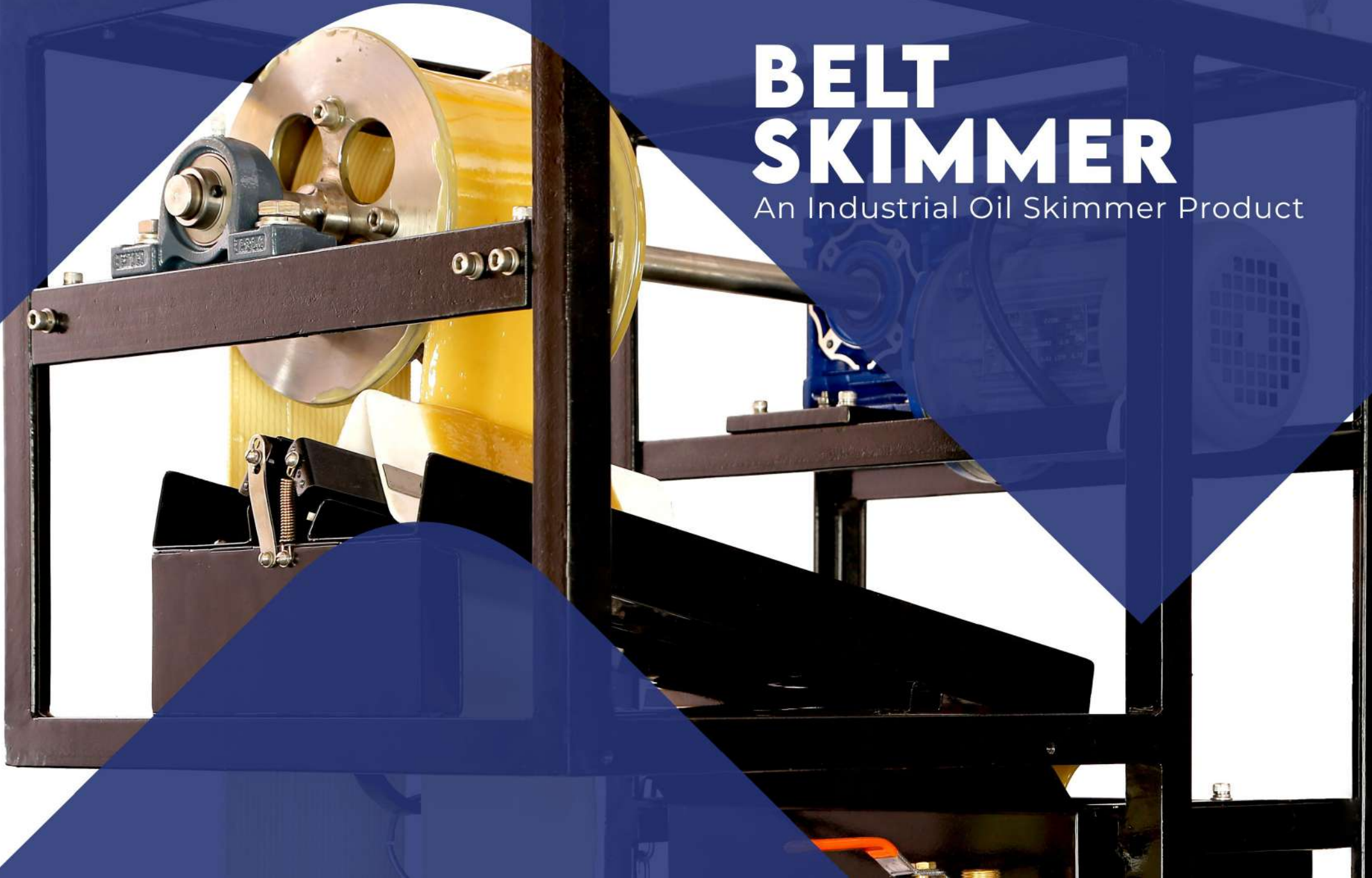


BELT SKIMMER

An Industrial Oil Skimmer Product

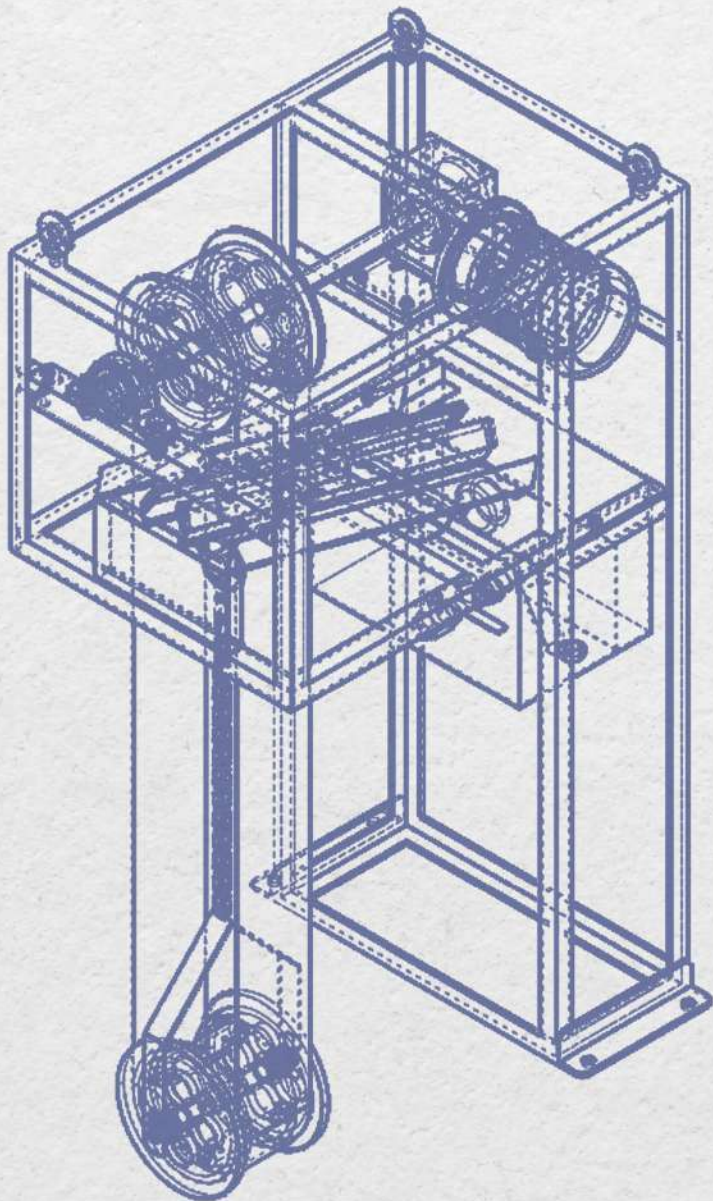




BELT OIL SKIMMER

Belt oil skimmer efficiently removes oil from the surface of oily effluent. It works on the principle of the difference in surface tension of oil and water. A belt skimmer is mounted on tank tops. The unit consists of two pulleys. the bottom pulley is below fluid surface level. The top pulley is connected to a geared drive. A rotating endless oleophilic Belt passes through the oily effluent, which breaks the surface tension of the water to attract and collect the floating oil. The belt is passed through a set of wiper blades where the oil is wiped off from both sides of the belt.

Belt oil skimmers efficiently remove free-floating oil from the surface of the liquid. The scraped fluid is collected a tank. The separator tank is specially design with decantation tank. This separates the additional water content and diverts it back to the main tank. These belt skimmers find applications in various industries. We offer oil skimmers with a wide range of belt material and belt width options to suit your specific requirements.



ABOUT PROBLEM



Space Constraint

The Belt skimmer are usually installed in small area due to unavailability of large space for the equipment.



Maintenance Issue

No customer support when maintenance issues pop up and little to no knowledge of how to resolve those issues.



Low Oil Recovery Efficiency

Percentage of water adhering to the belt along with the oil is more. This reduces the oil recovery efficiency



Requirement of different Oil Recovery rate

Depending upon the application, the requirement of oil removal rate varies.

OUR SOLUTION

Canopy

It also gives basic environmental protection. The canopy offers protection from falling objects or accidental contact with equipment

Pulley

Specially designed drive pulley is coupled with Gearbox to run the belt. Driven pulley cum dead weight is placed on the lower end of the belt which gives sufficient tension to the belt and help belt to move without any slippage.

Belt

Special oleophilic belts are being used for picking the floating oil. Belt is rolling through the pulley and dip in to water and pick the floating oil on its surface. Tandem belt option available. Replacement belts are readily available.

Power Unit

Power unit consist of Electric motor & gear box. Compact electrical motor designed for continuous operating condition. Plug and play model due to compact design.

Scraper Assembly

Scraper wipes oil from both side of the belt. After wiping the oil is being channelled by the tray connected under the wiper arrangement. Scraper assembly is designed such that it can be adjusted to have gentle contact with the moving belt

Main Frame

Wide range of MOC can be opted. The frame has a function to support the systems loads as well as components.

Decantation Tank

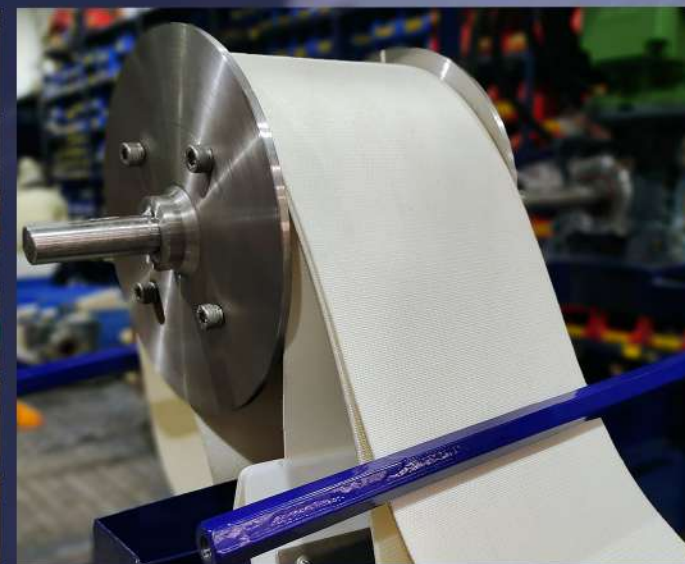
Decantation tank separates the additional water content & diverts it back to the main tank.

- ❖ Wide range of capacities from 5 LPH to 2000 LPH.
- ❖ Tandem belt option available.
- ❖ Plug and play model due to compact design.
- ❖ Reliable and longer service life.
- ❖ Fully automatic operation.
- ❖ No filters needed. Very low operating cost.
- ❖ Spare parts and replacement belts are readily available.
- ❖ Wide range of MOC can be opted.

MODEL SELECTION MATRIX



MODEL	MOC	BELT MOC	NO. OF BELTS	CONTROL PANEL	ACCESSORIES
B50B	MS	Oleophilic	1	DOL starter - Non Flame Proof	Supporting Frame
B50M	SS304	SS304	2	DOL starter - Flame Proof	Trolley/ Skid
B50AC	SS304L	SS304L	3	Control Panel - Non Flame Proof	Drum with Float Switch
B100M	SS316	SS316	4	Control Panel - Flame Proof	Separate Decantation tank
B100AC	SS316L	SS316L	5		Hoses
B200	NYLON	PU			Cantilever with Swivel Arm



📍 Potential Engineering
Plot No- B-45, MIDC Rd, behind Reliable Cloud City, Digha Naka,
Yadav Nagar, TTC Industrial Area, Airoli, Navi Mumbai - 400708,
Maharashtra

✉ sales@potential.net.in
🌐 www.potentialengineering.com
☎ +91 8591948730 / +90 8104984831 / +91 8104984832