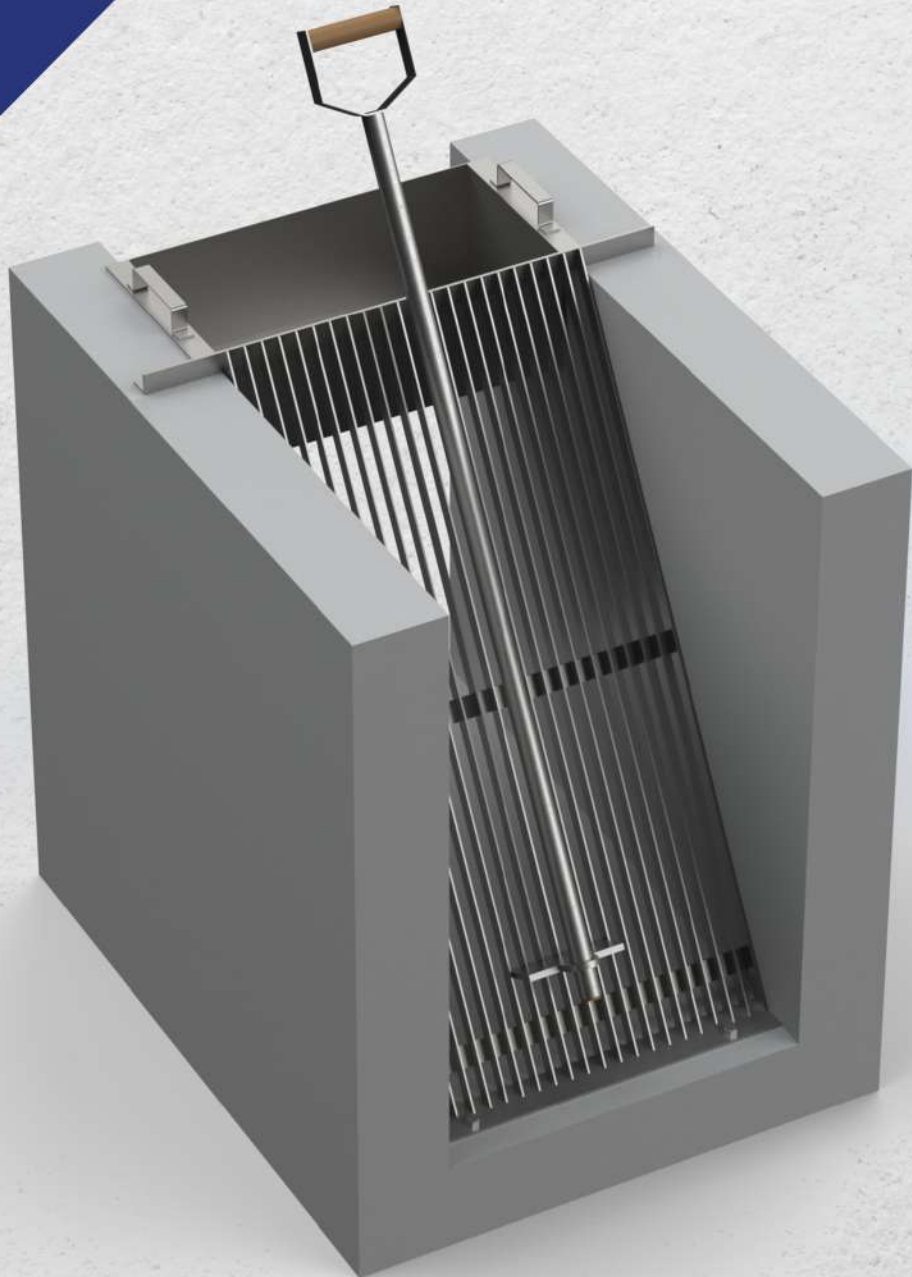


MANUAL BAR SCREEN

A Gravity Oil Skimmer Product



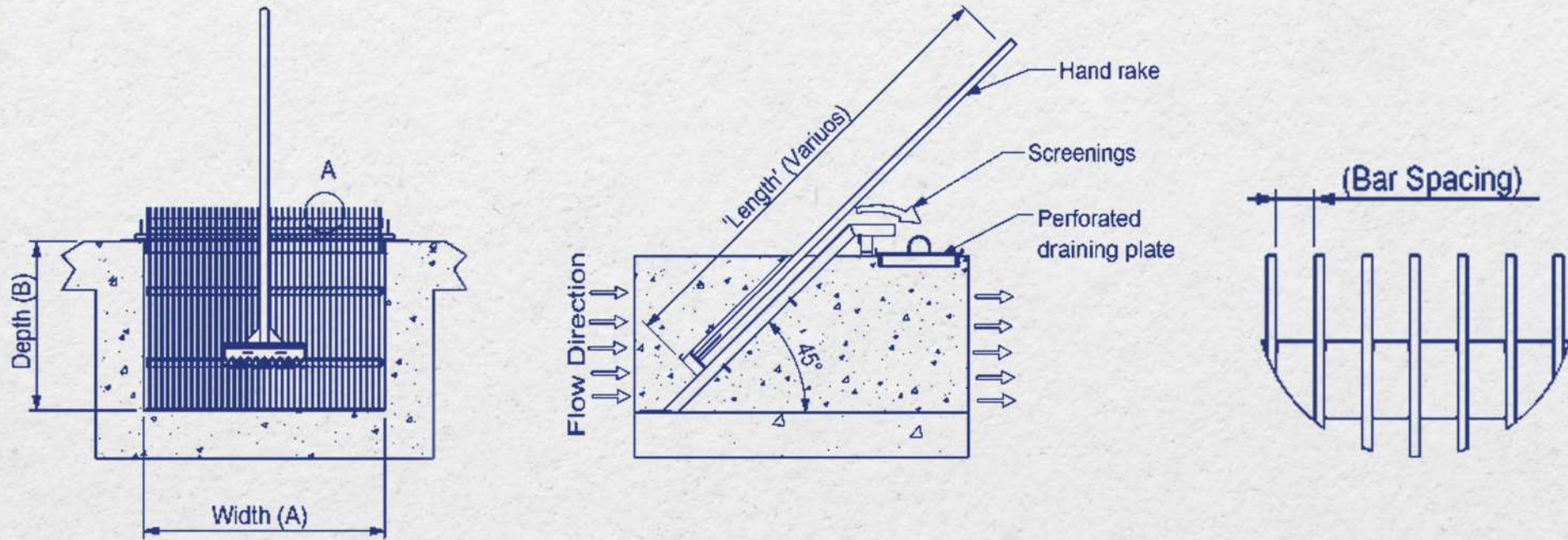


MANUAL BAR SCREEN

The manual bar screen is manually operated and used within small wastewater treatment plants or to protect fine mechanical screens. The coarse manual hand screen generally has a bar spacing of 20 to 100 mm. In addition, such screens are commonly used in a head of works as an emergency by-pass screen, located next to a mechanical screen, should there be power outage or if the mechanical screen is down for maintenance. This robust screen can be manufactured from either mild steel galvanized or in 304L & 316L stainless steel.

Manual bar screens are widely deployed at the entrance of the hydraulic structure, water intake, and pumping stations to trap flowing debris of large & medium size that could instigate downstream trouble. These screens are suited to serve industrial, municipal, and process water/wastewater screening. The debris is arrested in equally spaced inclined bars and is cleaned manually with help of a manual rake comb, provided with the screen. We manufacture fixed and removable manual bar screens.

MODEL SELECTION MATRIX



MODEL	CHANNEL SIZE		BAR SPACING				
	WIDTH (A)	DEPTH (B)	20	30	40	50	100
MHS800	800	1200	1440	1507	1619	1657	2485
MHS100	1000	1200	1852	1914	2033	2047	3070
MHS120	1200	1200	2677	2743	2892	3041	4561
MHS140	1400	1200	3446	3728	3934	1487	6280
MHS150	1500	1200	4474	4737	5104	5359	8040
MHS200	2000	1200	5897	6316	6763	7034	10550
MHS250	2500	1200	8210	8772	9357	9862	14800

For custom sizes, please contact our sales team, sales@potential.net.in