

OIL WATER SEPERATOR

Above Ground Cylindrical Tank

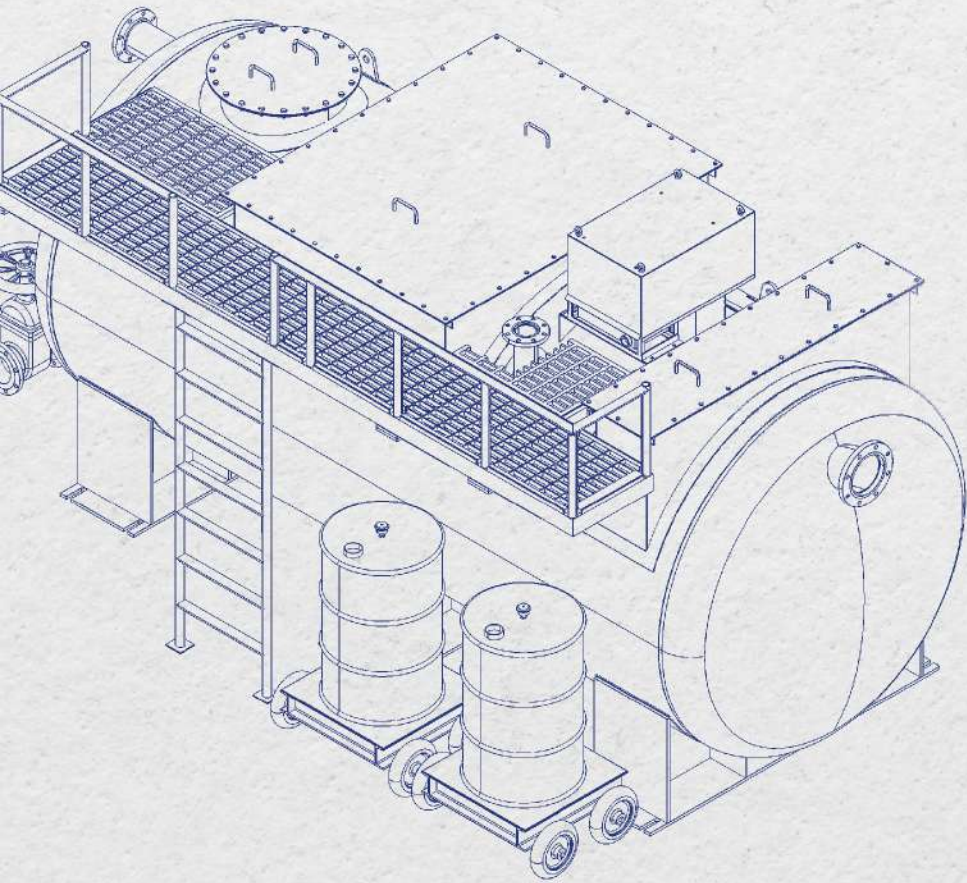




OIL WATER SEPERATOR

Oil water separators use gravity to separate oil, sludge, and water. Heavier sludge settles, while lighter oil floats. Despite some tiny oil droplets remaining, most are removed. In chambers with plate packs and coalescers, oil particles gather into larger globules, aiding separation. This ensures the effective removal of oil and sludge from wastewater.

ABOUT PROBLEM



Sludge buildup in chamber

The gradual build-up of solid particles, sediment, and other suspended matter within the tank, typically found in wastewater treatment



Bulky Plate Packs

Large plate packs in separation systems such as wastewater treatment plant handle high flow rates but pose installation and maintenance challenges



Difficult-to-clean plate packs

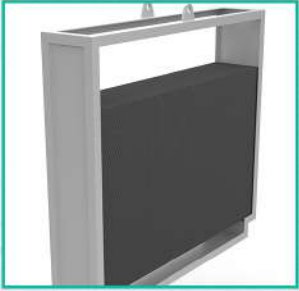
Larger plate packs often entail more extensive maintenance requirements. Cleaning, inspection, and potential repairs can be more labor-intensive due to the increased surface area that needs attention.



Chamber clogging.

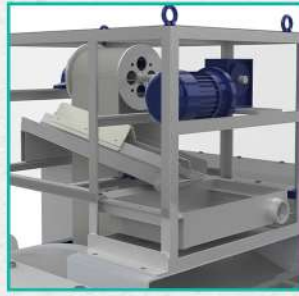
Accumulation of solid particles, sediments, or other debris within a designated chamber or vessel. It lowers efficiency, increases maintenance, raises pressure, and may affect quality.

OUR SOLUTION



Secondary Coalescer

Specially designed secondary Coalescer to achieve less than 10ppm oil in water at outlet.



Belt Skimmer

Belt Skimmer for removal of Oil from the top layer

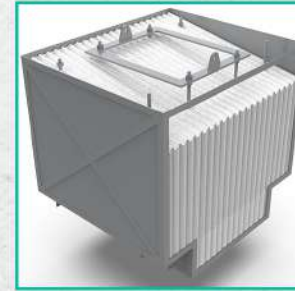


Plate Pack

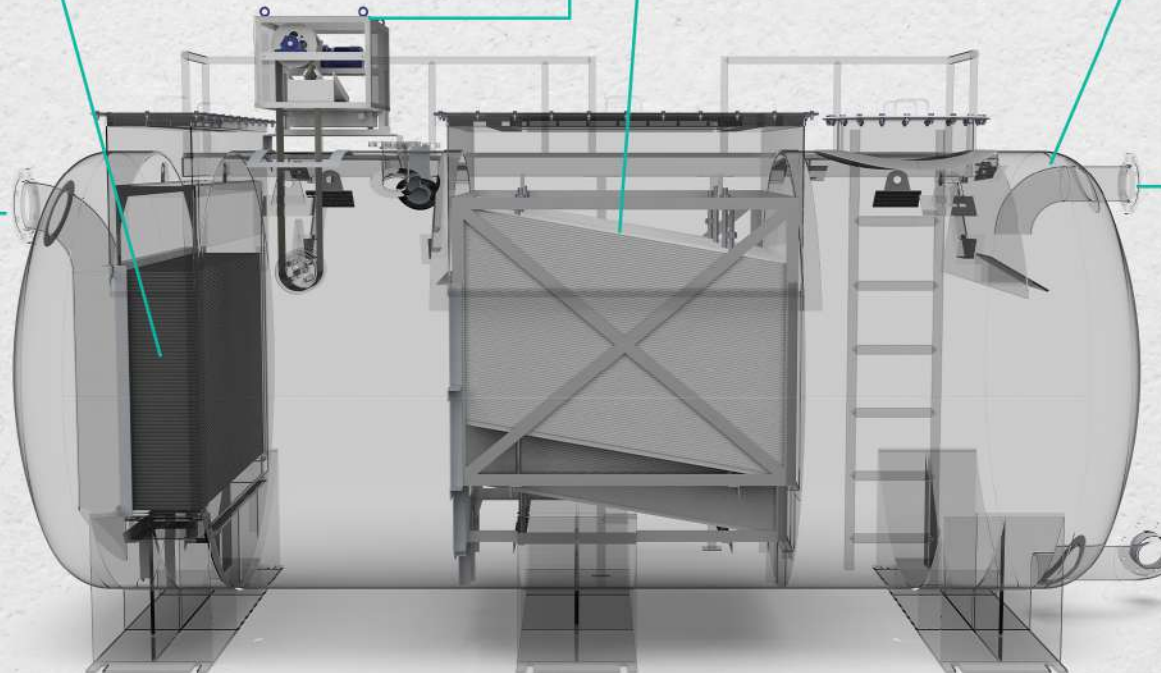
Oleophilic PP and FRP plate packs for removing almost all types of oil.



Tank

Special sludge chamber for settling and removing solid. Drain at bottom of every chamber for cleaning.

Outlet



Inlet

SALIENT FEATURES

- ✔ Variety in MOC of plate pack.
- ✔ Enhanced coalescer system is comprised of oleophilic plates to maximize separation and minimize maintenance
Variety of design of shapes as per requirement.
- ✔ Specially designed secondary coalescer.
- ✔ Variety of oil skimmers as per requirement.
- ✔ Easy to clean.
- ✔ Easy to install.

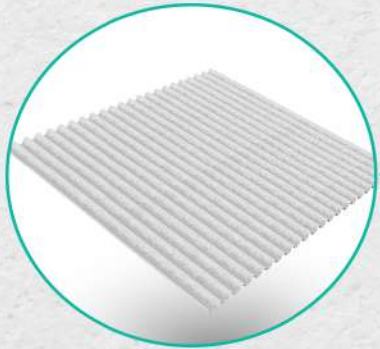
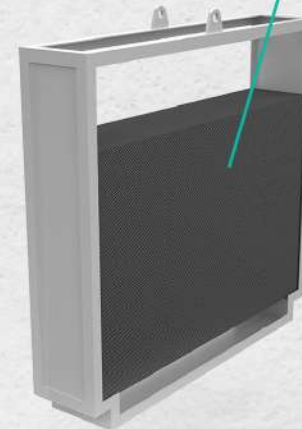
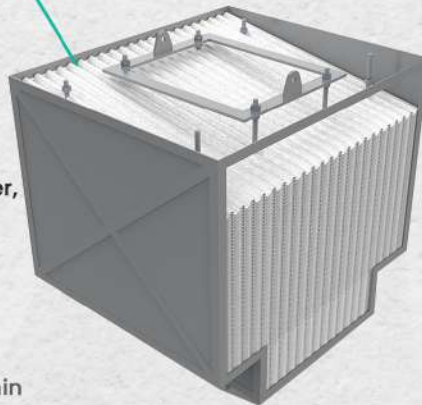


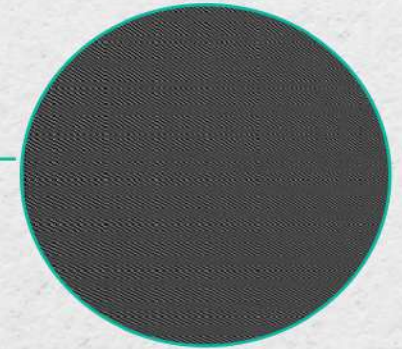
Plate Pack

The oily water proceeds through the initial Coalescer, configuration of inclined plates stacked in parallel, featuring both flat and corrugated surfaces. The corrugated underside of these plates initiates the coalescence of oil, forming cohesive sheets. These oil clusters subsequently ascend to the surface within the separation chamber, accumulating as a separate layer of oil. Meanwhile, any residual solids settle a top the plates and are directed towards the solids collection zone. The treated effluent descends and converges towards the outlet, ultimately being released through the natural force of gravity displacement.

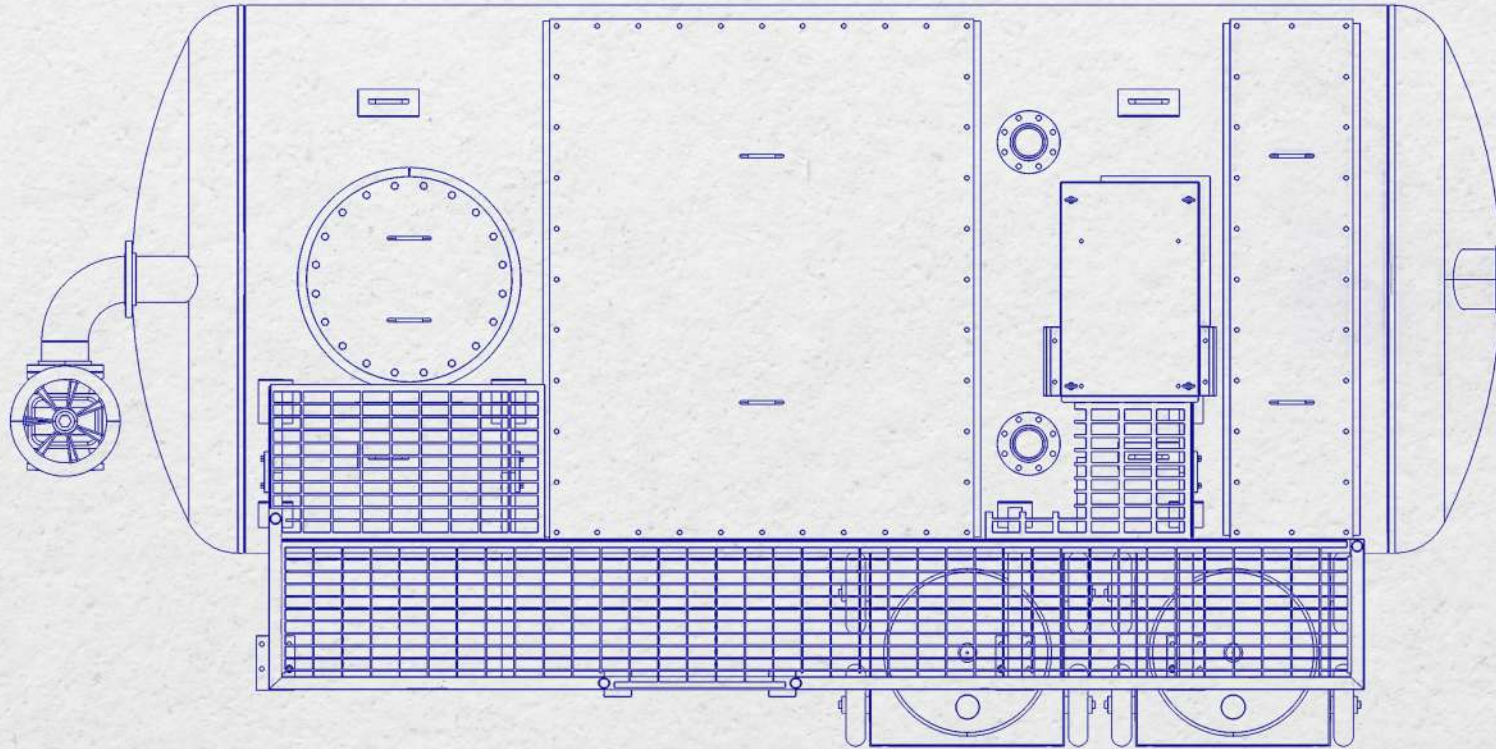


Secondary Coalescer

The Petro-Screen polypropylene impingement coalescer acts as a complementary filtration component, strategically engineered to intercept minute oil droplets that could potentially elude the primary plate pack coalescer. This tandem system greatly amplifies the effectiveness in extracting oil from the fluid stream, demonstrating a robust two-stage approach to oil removal.



MODEL SELECTION MATRIX



TYPE	MOC OF TANK	MOC OF INTERNALS	TANK DIMENSIONS	NUMBER OF OIL COALESCING SYSTEM	OIL REMOVING SYSTEM	SLUDGE REMOVAL SYSTEM	ACCESSORIES
underground cylindrical	RCC	MSEP	Length	Primary Oil Coalescing System	Belt Oil Skimmer	V-hopper with Pump	Oil collection tank
aboveground rectangular	MSEP	MSFRP	Width	Secondary Oil Coalescing System	Slotted Pipe Oil Skimmer	V-hopper Manual	Foundation Bolt
aboveground cylindrical	MSFRP	SS304	Height		Weir Skimmer	Flat Bottom with Pump	Oil sensor
	SS304	SS316			Drum Skimmer	Flat Bottom Manual	Float switch
	SS316	SS2507			Chain Scapper	Flat Bottom with Chain Sprocket System	Heating Process
					Disc Skimmer	Not Applicable	
					Brush Skimmer		

For custom sizes, please contact our sales team, sales@potential.net.in



📍 Potential Engineering
Plot No- B-45, MIDC Rd, behind Reliable Cloud City, Digha Naka,
Yadav Nagar, TTC Industrial Area, Airoli, Navi Mumbai - 400708,
Maharashtra

✉ sales@potential.net.in
🌐 www.potentialengineering.com
☎ +91 8591948730 / +90 8104984831 / +91 8104984832