

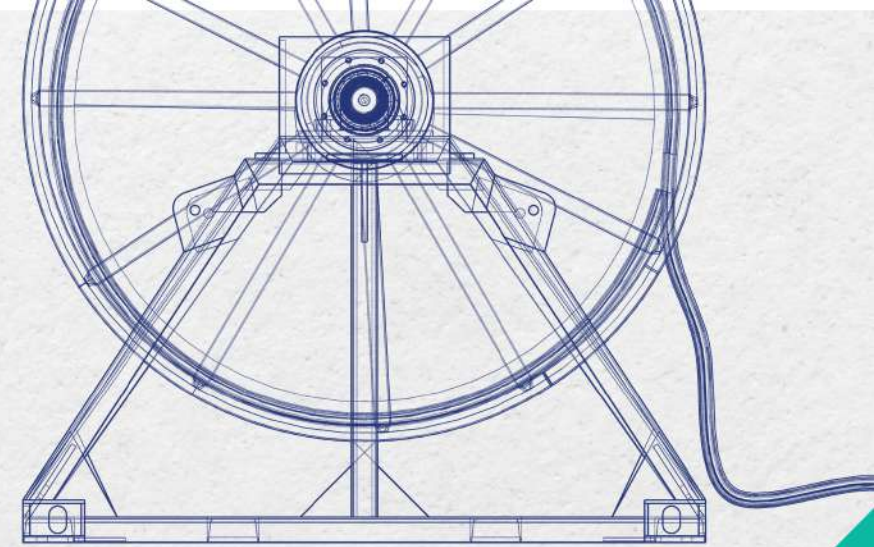
# BOOM REEL

An Oil Spill Response Product



The image shows a large, orange-painted metal reel mechanism for a boom. The reel is mounted on a sturdy frame. A silver, reflective boom is partially unrolled from the reel. The boom has several yellow reflective strips along its length. The Potential Engineering logo is visible on the side of the reel.

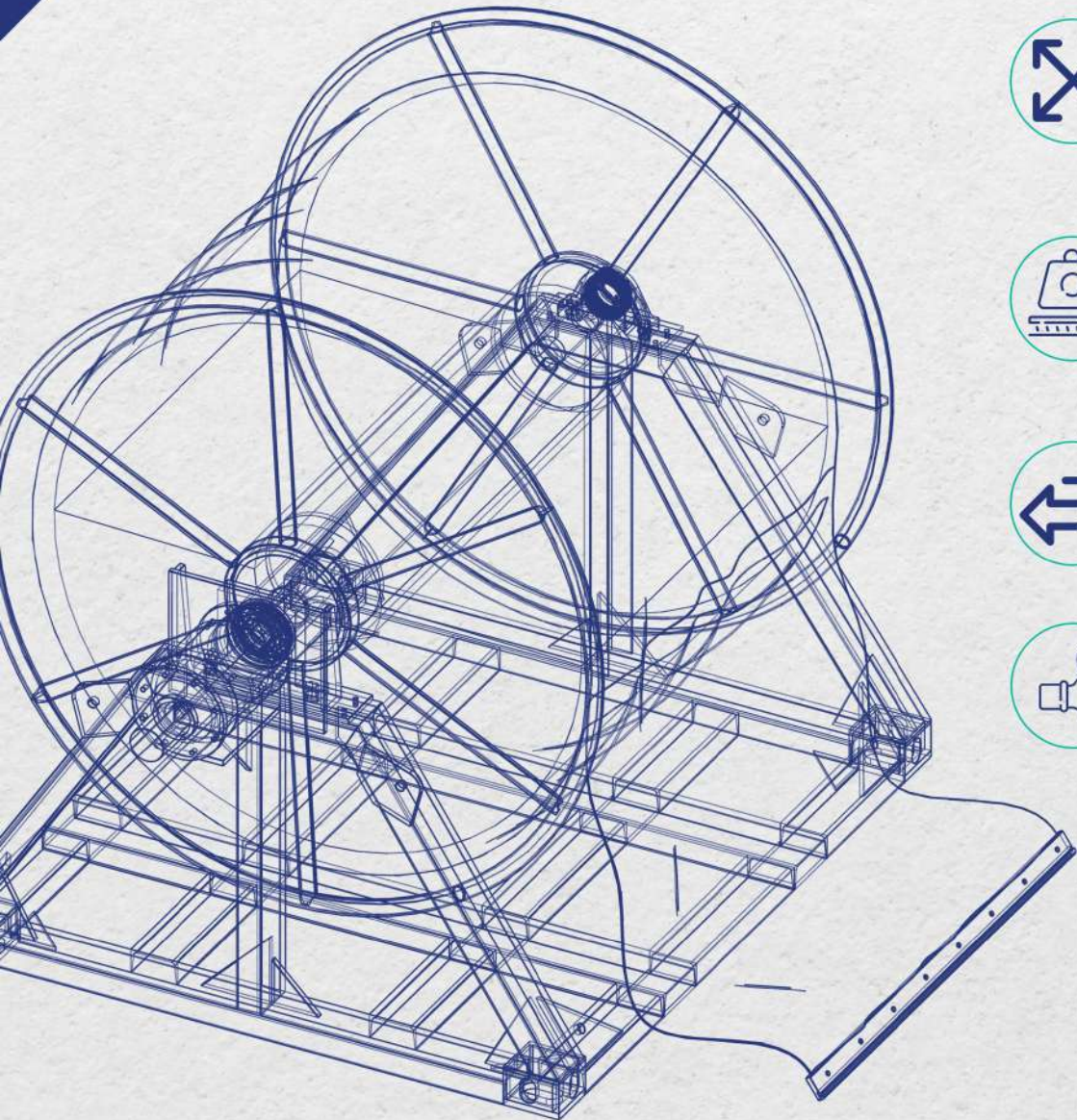
**POTENTIAL**  
ENGINEERING



## BOOM REEL

Potential Engineering offers Boom reels which cover a wide range of construction scenarios, from permanent booms to oil containment booms. The use of high-quality materials like marine grade coated steel, stainless steel, and marine grade aluminum indicates a commitment to durability and longevity. The inclusion of forklift channels on all sides for lifting and the option for a two- or four-point arrangement further demonstrates a focus on safety and ease of use. Additionally, the ability to fit the boom reel in a standard ISO container, along with provisions for locking and securing, showcases a thoughtful approach to storage and transport. The hydraulic drive and hydraulic brakes add an extra layer of control and safety to the operation of the reel. Overall, this product is well-designed to meet the demands of various construction and containment applications.

# ABOUT PROBLEM



## Large Storage space Requirements

Due to Large Size of the Boom Reels , they requires large space for storing. The large size of Boom Reels necessitates careful consideration and planning for their storage.



## Bulky

Boom reels can be large and heavy, especially when constructed from materials like marine grade coated steel, stainless steel, or marine grade aluminum. This makes them cumbersome to handle without appropriate equipment.



## Difficulty in lifting & Transportation

The challenge of lifting and transporting the Boom reels to the site location is a critical aspect of their usability and deployment.



## Installation & Maintenance

The complexities tied to the installation, operation, and maintenance of Boom Reels present a range of intricate considerations.

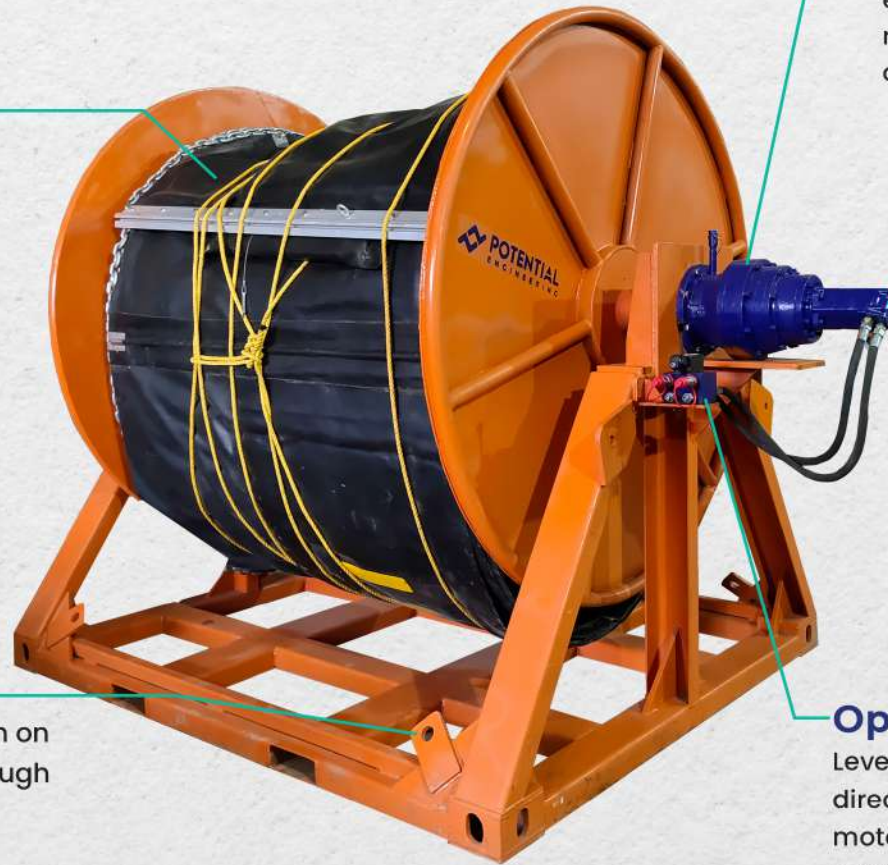
# OUR SOLUTION

## Boom

The following booms can be provided depending on the customer requirements: Permanent Booms, Foam Filled Fence Booms, Solid Floatation Booms, Shore Sealing Booms, and Inflatable Booms.

## Lifting Lugs

Lifting lugs aid to transport the boom reel both on land and on ship at sea. These are strong enough to withstand the equipment load during its movement at site.



## GearBox

The planetary gear box excels in high torque transmission for robust performance. Its enhanced durability ensures longevity and reliability. It reliably handles high radial and axial loads, minimizing gear misalignment risks.

## Hydraulic Motor

It generates a very high out force in relation to the input force. These motors work great in harsh environment with water dirt and other contaminants. It can stop and start easily under large loads without causing damage.

## Operating Valve

Lever operated directional control valve to control the direction of movement of a hydraulic cylinder or the motor rotation. It can also hold the boom reel at a particular position.

# OUR SOLUTION



## Power Pack

Potential Engineering manufactures a range of Hydraulic power units for the operation of boom reels ranging from 10Hp to 67Hp (7.5 Kw To 50Kw). These power pack units can be diesel driven or electrically operated depending on the customer requirements. Power pack units are compact enough to be mounted on the boom reel trailer. Controls can be provided on the power pack itself or with the separate control stand depending the customer requirements.



## Blower

Portable Blowers are provided for inflatable booms. Blower ranges from lightweight backpacks to high output diesel and hydraulic driven units. It can be handy mounted as backpack or it can be skid mounted.

## Technical Specification

Type: Open

MOC of Boom Reel Frame: MS / SS / AL

Width: 900mm to 2250mm

Drive: Diesel Engine Driven Hydraulic Power Pack / Manual

Brake: Hydraulic / Mechanical

Accessories: Quick release coupling with lock rings, ISO storage containers, Heavy duty tarpaulin cover & attached air blower

## Optimal Package Solution :

Boom + Boom Reel + Power Pack + Air Inflator + Anchoring Set + Container

## Targeted Application Zone

### Inflatable Booms



### Foam Filled / Permanent / Solid Floatation Booms



### Shore Sealing Booms



# TYPES OF BOOM WE OFFER



## Inflatable Booms

Inflatable Booms are lightweight and durable air-inflated boom that are generally used for emergency deployment for oil spills. Customer has an option to select the boom material as PVC/PU/ Neoprene depending on his requirement.

Ballast is provided by an enclosed galvanized chain to prevent corrosion. Each boom section is provided with an ASTM Z connector to allow connection to the next section of boom.

## Permanent Booms

Permanent boom is suitable for installation and long-term deployment in ports, harbours, rivers, ponds and lakes where a zero response time is required. These are the most durable booms, with superior uv resistance, tear resistance and tensile strength.

These booms are manufactured with PVC/ PU Coated fabric and foam filled shells that make the boom function even in rough conditions. Boom designs comply as per ASTM F1523 and Connectors are Z designed as per ASTM F962.



## Foam Filled Fence Booms

Foam Filled Fence Booms is solid light-weight foam float containment boom that is easy to operate, deploy, retrieve and store. The booms are manufactured with PVC fabric in high visibility color, which is oil resistant and has ultra-violet (UV) inhibitors.

The internal floats are made with foams having different sizes and shapes depending upon application. Ballast is provided by an enclosed galvanized chain to prevent corrosion. Each boom section is provided with an ASTM Z connector to allow connection to the next section of boom. The slim form of the boom allows easy storage on pallets or reels.

# TYPES OF BOOM WE OFFER

## Solid Floatation Booms

Solid Floatation Boom is designed for swift response of oil containment in a wide range of environmental scenarios including water bodies having low to high currents, harbors and even offshores. The booms are manufactured with PVC fabric in high visibility color, which is oil resistant and has ultra-violet (UV) inhibitors.

The internal floats are made with foams having different sizes and shapes depending upon application. Ballast is provided by an enclosed galvanized chain to prevent corrosion. Each boom section is provided with an ASTM Z connector to allow connection to the next section of boom.



## Shore Sealing Booms

Shore Sealing Boom is specifically designed for shoreline protection areas where water converges with land and in tidal areas. It has two water chambers that act as ballast which seals the boom to the shoreline and an air chamber for floatation.

The booms are manufactured with PVC fabric in high visibility color, which is oil resistant and has ultra-violet (UV) inhibitors. Shore Sealing Boom comes with internationally used ASTM end connectors, to enable it to be coupled to any other type of boom.

# MODEL SELECTION MATRIX



BOOM REEL TYPE	BOOM REEL SPOOL WIDTH	MOC GRADE	BOOM REEL DRIVE	DRIVE DETAILS	ACCESSORIES
HBR	900 mm	Mild Steel	Hydraulic Driven	"Hydraulic Motor	Quick release connectors
LBR	1200 mm	A Grade Steel	Manual Driven	Hydraulic Motor with Planetary Gear Box"	with lock rings
	1500 mm	SS304			Hydraulic Hoses
	2000 mm	SS316			Camlock Couplings
	2250 mm	Aluminium			Hose Floats & Fixing ropes

For custom sizes, please contact our sales team, [sales@potential.net.in](mailto:sales@potential.net.in)





📍 Potential Engineering  
Plot No- B-45, MIDC Rd, behind Reliable Cloud City, Digha Naka,  
Yadav Nagar, TTC Industrial Area, Airoli, Navi Mumbai - 400708,  
Maharashtra

✉ sales@potential.net.in  
🌐 www.potentialengineering.com  
☎ +91 8591948730 / +90 8104984831 / +91 8104984832